

EQTG32D4EH-21.400M

[Click part number to visit Part Number Details page](#)

REGULATORY COMPLIANCE (Data Sheet downloaded on Dec 8, 2019)


[Click badges to download compliance docs](#)

Regulatory Compliance standards are subject to updates by governing bodies. Click the badges to download the latest compliance docs for this part number directly from Ecliptek.



ITEM DESCRIPTION

Temperature Compensated Quartz Crystal Clock Oscillators TCXO LVPECL (PECL) 2.5Vdc 6 Pad 2.5mm x 3.2mm Ceramic Surface Mount (SMD) 21.400MHz -20°C to +70°C

ELECTRICAL SPECIFICATIONS

| | |
|---|---|
| Nominal Frequency | 21.400MHz |
| Frequency Stability | ±3.0ppm Maximum (Inclusive of Operating Temperature Range, at Vdd=2.5Vdc) |
| Frequency Stability vs. Frequency Tolerance | ±1.5ppm Maximum (at 25°C ±2°C, at Vdd=2.5Vdc, Pre-Reflow) |
| Frequency Stability vs. Input Voltage | ±0.2ppm Maximum (±5%) |
| Frequency Stability vs. Load | ±0.2ppm Maximum (±2pF) |
| Frequency Stability vs. Reflow | ±1.0ppm Maximum (at 25°C, 24 hours after reflow, 1 time) |
| Frequency Stability vs. Aging | ±1ppm/Year Maximum (at 25°C) |
| Operating Temperature Range | -20°C to +70°C |
| Supply Voltage | 2.5Vdc ±5% |
| Input Current | 75mA Maximum |
| Output Voltage Logic High (Voh) | Vdd-1.025Vdc Minimum, 1.6Vdc Typical, Vdd-0.6Vdc Maximum |
| Output Voltage Logic Low (Vol) | Vdd-1.85Vdc Minimum, 0.8Vdc Typical, Vdd-1.62Vdc Maximum |
| Rise/Fall Time | 300pSec Maximum (Measured at 10% to 90% of Waveform) |
| Duty Cycle | 50 ±5% (Measured at 50% of Waveform) |
| Load Drive Capability | 50 Ohms into Vdd-2Vdc |
| Output Logic Type | LVPECL |
| Phase Noise | -64dBc/Hz at 10Hz offset; -96dBc/Hz at 100Hz offset; -124dBc/Hz at 1kHz offset; -131dBc/Hz at 10kHz offset; -132dBc/Hz at 100kHz offset; -149dBc/Hz at 1MHz offset; -157dBc/Hz at 10MHz offset; -159dBc/Hz at 20MHz offset (All Values are Typical) |
| Output Control Function | Output Enable (OE) |
| Output Control Input Voltage Logic High (Vih) | 90% of Vdd Minimum or No Connect to Enable Output and Complementary Output |
| Output Control Input Voltage Logic Low (Vil) | 10% of Vdd Maximum to Disable Output and Complementary Output (High Impedance) |
| Output Enable Time | 100nSec Maximum |
| Output Disable Time | 50nSec Maximum |
| Output Enable Current | 15mA Maximum (Without Load (Pin 2 = Ground)) |
| RMS Phase Jitter | 1.5pSec Maximum (Fj=12kHz to 20MHz (Random)) |
| Period Jitter (Deterministic) | 0.2pSec Typical |
| Period Jitter (Random) | 2pSec Typical |
| Period Jitter (RMS) | 3pSec Maximum |
| Period Jitter (pk-pk) | 30pSec Maximum |
| Start Up Time | 10mSec Maximum |
| Storage Temperature Range | -55°C to +125°C |

EQTG32D4EH-21.400M

[Click part number to visit Part Number Details page](#)

ENVIRONMENTAL & MECHANICAL SPECIFICATIONS

| | |
|-------------------------------------|---|
| ESD Susceptibility | MIL-STD-883, Method 3015, Class 1, HBM: 1500V |
| Fine Leak Test | MIL-STD-883, Method 1014, Condition A |
| Flammability | UL94-V0 |
| Gross Leak Test | MIL-STD-883, Method 1014, Condition C |
| Mechanical Shock | MIL-STD-883, Method 2002, Condition B |
| Moisture Resistance | MIL-STD-883, Method 1004 |
| Moisture Sensitivity | J-STD-020, MSL 1 |
| Resistance to Soldering Heat | MIL-STD-202, Method 210, Condition K |
| Resistance to Solvents | MIL-STD-202, Method 215 |
| Solderability | MIL-STD-883, Method 2003 |
| Temperature Cycling | MIL-STD-883, Method 1010, Condition B |
| Vibration | MIL-STD-883, Method 2007, Condition A |

EQTG32D4EH-21.400M [Click part number to visit Part Number Details page](#)

MECHANICAL DIMENSIONS (all dimensions in millimeters)



| PIN | CONNECTION |
|-----|----------------------|
| 1 | Do Not Connect |
| 2 | Output Enable (OE) |
| 3 | Case/Ground |
| 4 | Output |
| 5 | Complementary Output |
| 6 | Supply Voltage |

| LINE | MARKING |
|------|--|
| 1 | E21.400 E=Ecliptek Designator |
| 2 | XXXXX XXXXX=Ecliptek Manufacturing Identifier |

Terminal Plating Thickness: Gold (0.3 to 1.0µm) over Nickel (1.27 to 8.89µm).

Suggested Solder Pad Layout

All Dimensions in Millimeters

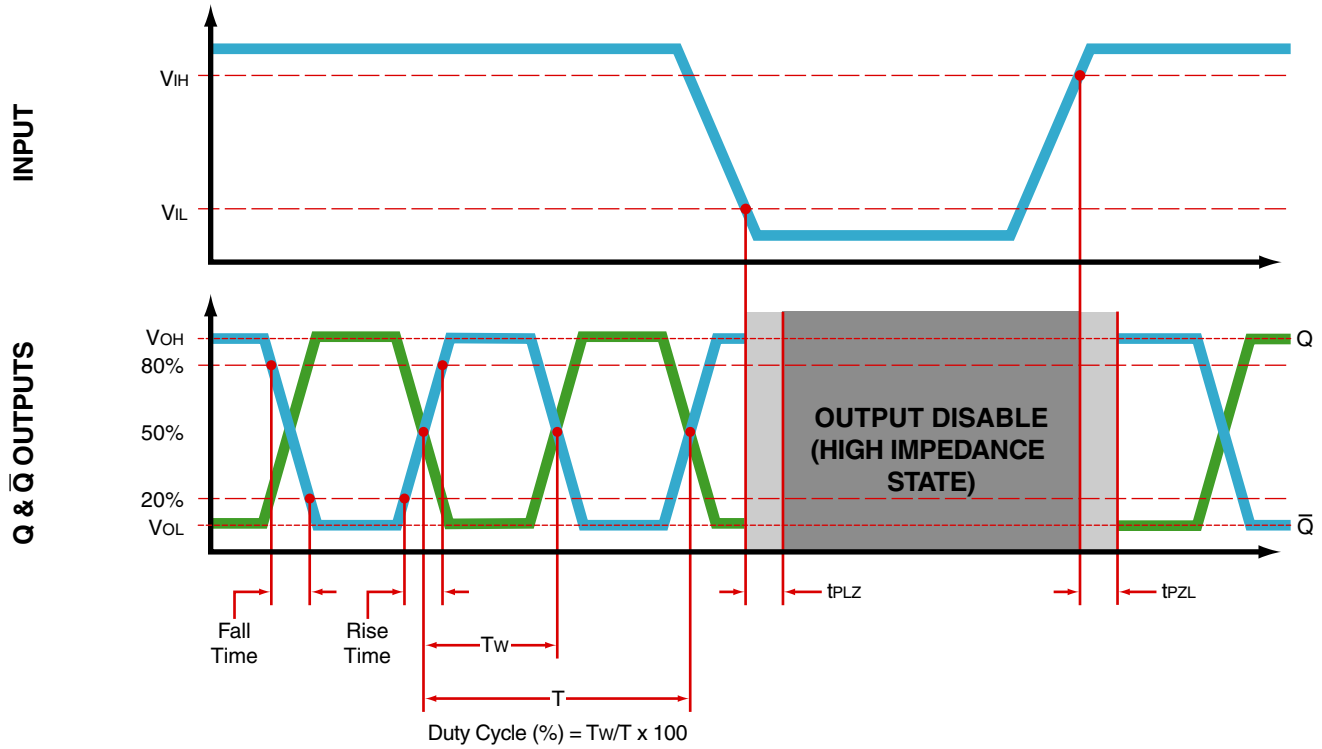


All Tolerances are ±0.1

EQTG32D4EH-21.400M

[Click part number to visit Part Number Details page](#)

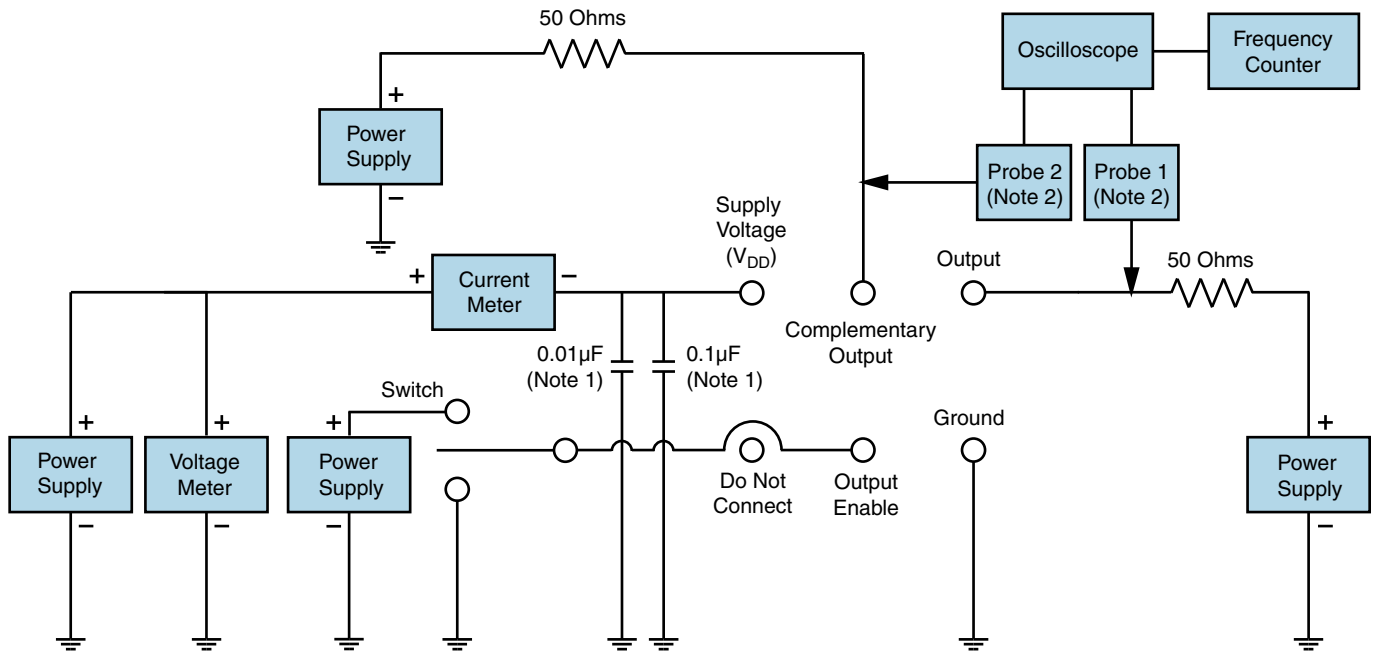
OUTPUT WAVEFORM & TIMING DIAGRAM



EQTG32D4EH-21.400M

[Click part number to visit Part Number Details page](#)

Test Circuit for PECL Output



Note 1: An external $0.01\mu\text{F}$ ceramic bypass capacitor in parallel with a $0.1\mu\text{F}$ high frequency ceramic bypass capacitor close (less than 2mm) to the package ground and supply voltage pin is required.

Note 2: A low capacitance ($<12\text{pF}$), 10X attenuation factor, high impedance ($>10\text{Mohms}$), and high bandwidth ($>500\text{MHz}$) passive probe is recommended.

Note 3: Test circuit PCB traces need to be designed for a characteristic line impedance of 50 ohms.

EQTG32D4EH-21.400M

[Click part number to visit Part Number Details page](#)

Recommended Solder Reflow Methods



High Temperature Infrared/Convection

| | |
|--|---|
| Ts MAX to TL (Ramp-up Rate) | 3°C/Second Maximum |
| Preheat | |
| - Temperature Minimum (Ts MIN) | 150°C |
| - Temperature Typical (Ts TYP) | 175°C |
| - Temperature Maximum (Ts MAX) | 200°C |
| - Time (ts MIN) | 60 - 180 Seconds |
| Ramp-up Rate (TL to TP) | 3°C/Second Maximum |
| Time Maintained Above: | |
| - Temperature (TL) | 217°C |
| - Time (tL) | 60 - 150 Seconds |
| Peak Temperature (TP) | 260°C Maximum for 10 Seconds Maximum |
| Target Peak Temperature (TP Target) | 250°C +0/-5°C |
| Time within 5°C of actual peak (tp) | 20 - 40 Seconds |
| Ramp-down Rate | 6°C/Second Maximum |
| Time 25°C to Peak Temperature (t) | 8 Minutes Maximum |
| Moisture Sensitivity Level | Level 1 |
| Additional Notes | Temperatures shown are applied to body of device. |

EQTG32D4EH-21.400M

[Click part number to visit Part Number Details page](#)

Recommended Solder Reflow Methods



Low Temperature Infrared/Convection 240°C

| | |
|--|--|
| Ts MAX to TL (Ramp-up Rate) | 5°C/Second Maximum |
| Preheat | |
| - Temperature Minimum (Ts MIN) | N/A |
| - Temperature Typical (Ts TYP) | 150°C |
| - Temperature Maximum (Ts MAX) | N/A |
| - Time (ts MIN) | 60 - 120 Seconds |
| Ramp-up Rate (TL to TP) | 5°C/Second Maximum |
| Time Maintained Above: | |
| - Temperature (TL) | 150°C |
| - Time (tL) | 200 Seconds Maximum |
| Peak Temperature (TP) | 240°C Maximum |
| Target Peak Temperature (TP Target) | 240°C Maximum 2 Times / 230°C Maximum 1 Time |
| Time within 5°C of actual peak (tp) | 10 Seconds Maximum 2 Times / 80 Seconds Maximum 1 Time |
| Ramp-down Rate | 5°C/Second Maximum |
| Time 25°C to Peak Temperature (t) | N/A |
| Moisture Sensitivity Level | Level 1 |
| Additional Notes | Temperatures shown are applied to body of device. |

Low Temperature Manual Soldering

185°C Maximum for 10 Seconds Maximum, 2 times Maximum. (Temperatures shown are applied to body of device.)

High Temperature Manual Soldering

260°C Maximum for 5 Seconds Maximum, 2 times Maximum. (Temperatures shown are applied to body of device.)