

PART NUMBERING GUIDE

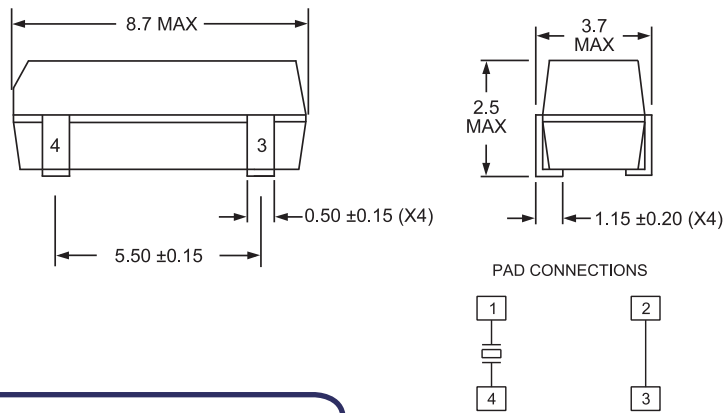
E1WSDA12 - 32.768K TR

PACKAGE OPTIONS
 Blank = Bulk
 TR = Tape and Reel

NOTES

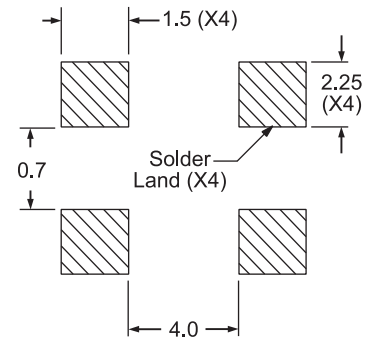
MECHANICAL DIMENSIONS

ALL DIMENSIONS IN MILLIMETERS



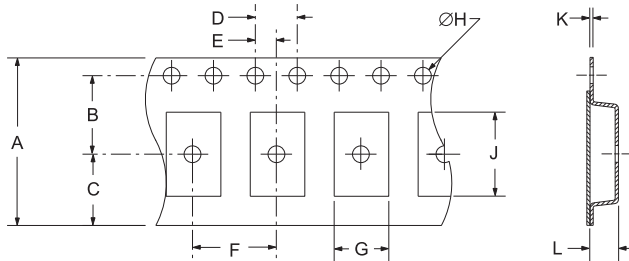
SUGGESTED SOLDER PAD LAYOUTS

ALL DIMENSIONS IN MILLIMETERS



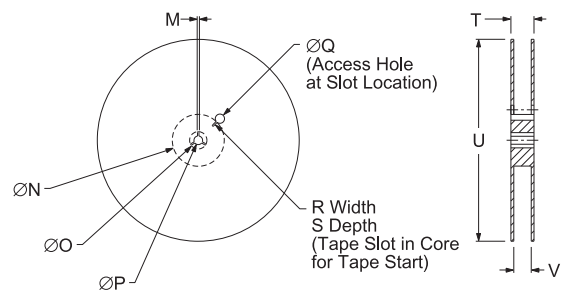
TAPE AND REEL DIMENSIONS

ALL DIMENSIONS IN MILLIMETERS



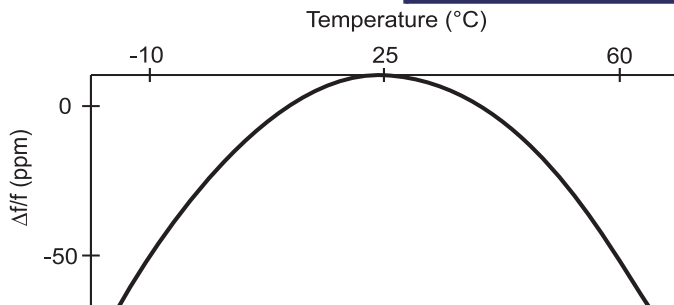
TAPE	A	B	C	D	E
	16.0±0.3	7.5±0.1	6.75±0.20	4.0±0.1	2.0±0.05
F	G	H	J	K	L
8.0±0.2	A0*	1.5+2/-0	B0*	0.40±0.05	K0*

*Compliant to EIA481A



REEL	M	N	O	P	Q
	1.5 MIN	50 MIN	20.2 MIN	13.0±0.2	40 MIN
R	S	T	U	V	QTY/REEL
2.5 MIN	10 MIN	22.4 MAX	360 MAX	16.4+2/-2	3,000

PARABOLIC TEMPERATURE CURVE



MARKING SPECIFICATIONS

Line 1: C2K XXXX
 Lot Identifier (4 or 5 Characters)
 Frequency Code

MANUFACTURER
ECLIPTEK CORP.

CATEGORY
CRYSTAL

SERIES
E1WS

PACKAGE
PLASTIC

CLASS
CR47

REV. DATE
05/05